

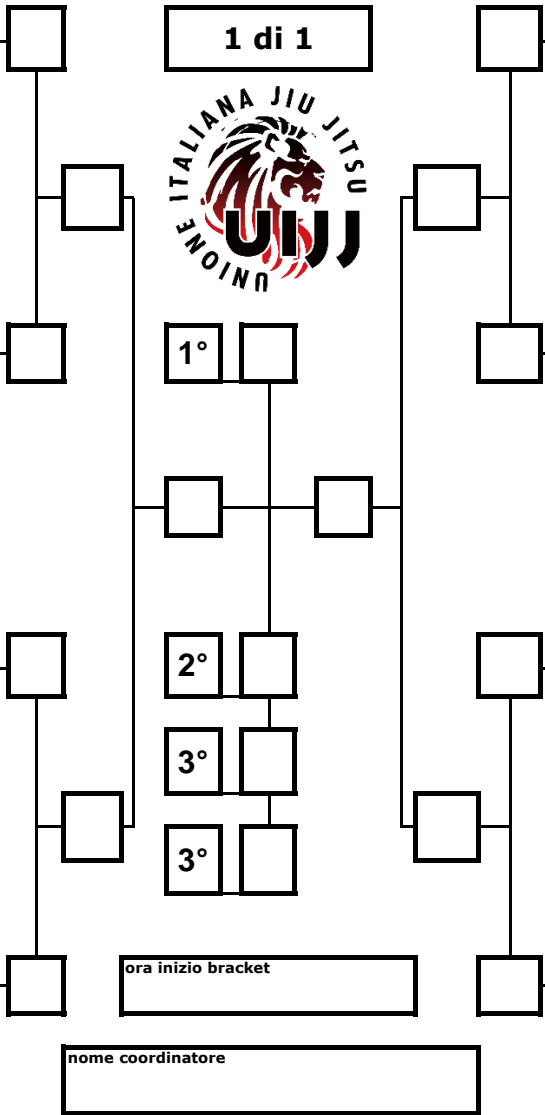
**ITALIAN BJJ  
OPEN 2019**

|         |        |         |                        |          |       |            |
|---------|--------|---------|------------------------|----------|-------|------------|
| Maschio | Bianca | Master1 | MASSIMO SENZA LIMITE - | 97,50 kg | 5 min | 1 Fighters |
|---------|--------|---------|------------------------|----------|-------|------------|

**NO-GI**

|          |  |   |   |    |     |      |
|----------|--|---|---|----|-----|------|
| calls    | 1  | 2 | 3 | dq | doc | peso |
| <b>1</b> | Felipe Soares - Brazilian jiu jitsu savona |   |   |    |     |      |
| calls    | 1  | 2 | 3 | dq | doc | peso |
| <b>2</b> |  |   |   |    |     |      |
| calls    | 1  | 2 | 3 | dq | doc | peso |
| <b>3</b> |  |   |   |    |     |      |
| calls    | 1  | 2 | 3 | dq | doc | peso |
| <b>4</b> |  |   |   |    |     |      |
| calls    | 1  | 2 | 3 | dq | doc | peso |
| <b>5</b> |  |   |   |    |     |      |
| calls    | 1  | 2 | 3 | dq | doc | peso |
| <b>6</b> |  |   |   |    |     |      |
| calls    | 1  | 2 | 3 | dq | doc | peso |
| <b>7</b> |  |   |   |    |     |      |
| calls    | 1  | 2 | 3 | dq | doc | peso |
| <b>8</b> |  |   |   |    |     |      |

**MBM1-MASSIMO SENZA LIMITE -**



|       |   |   |   |    |     |      |           |
|-------|---|---|---|----|-----|------|-----------|
| calls | 1 | 2 | 3 | dq | doc | peso |           |
|       |   |   |   |    |     |      | <b>9</b>  |
| calls | 1 | 2 | 3 | dq | doc | peso |           |
|       |   |   |   |    |     |      | <b>10</b> |
| calls | 1 | 2 | 3 | dq | doc | peso |           |
|       |   |   |   |    |     |      | <b>11</b> |
| calls | 1 | 2 | 3 | dq | doc | peso |           |
|       |   |   |   |    |     |      | <b>12</b> |
| calls | 1 | 2 | 3 | dq | doc | peso |           |
|       |   |   |   |    |     |      | <b>13</b> |
| calls | 1 | 2 | 3 | dq | doc | peso |           |
|       |   |   |   |    |     |      | <b>14</b> |
| calls | 1 | 2 | 3 | dq | doc | peso |           |
|       |   |   |   |    |     |      | <b>15</b> |
| calls | 1 | 2 | 3 | dq | doc | peso |           |
|       |   |   |   |    |     |      | <b>16</b> |